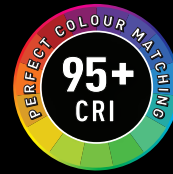
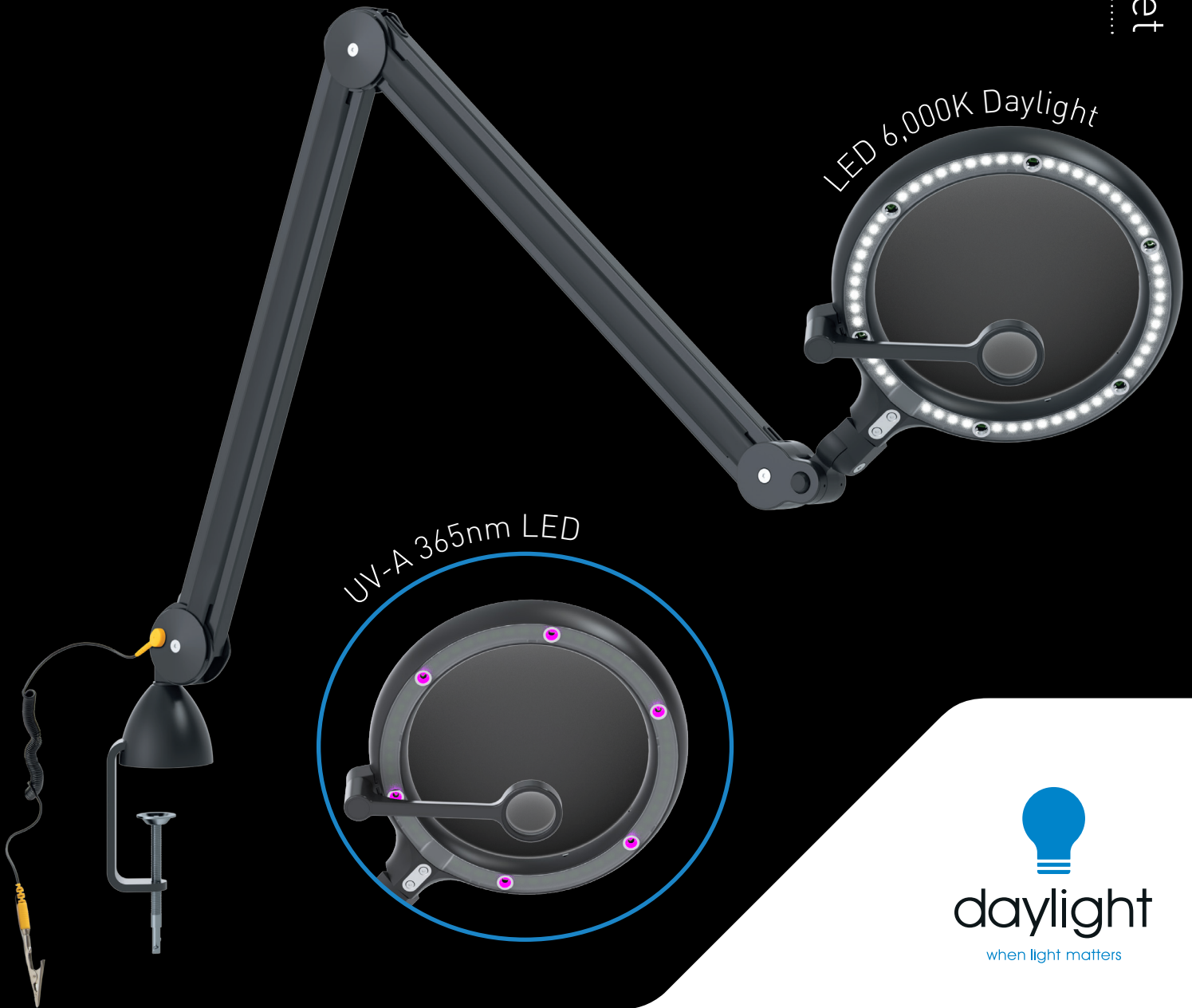


iQ ESD™

DAYLIGHT & UV MAGNIFIER



Fact Sheet



The iQ ESD™ is a 100% ESD-safe illuminated magnifier, independently certified for use in EPA (Electrostatic Protected Areas) to IEC 61340-5-1 & ANSI/ESD 20:20. A fantastic 2-in-1 light source, powerful Daylight 6,000K LEDs ensure clarity and shadow-free illumination while UV-A (365nm) LEDs are ideal for conformal coating inspection as well as thorough checking of soldered joints, welds and any other mechanical stress areas. With 2 brightness levels to suit your tasks, joints that hold any position and a large 7" lens, the iQ ESD™ is the ultimate 2-in-1 ESD-safe illuminated magnifier.

LED 6,000K daylight

6,000 Lux at 6"

UV-A (365nm) LEDs



LIGHT QUALITY



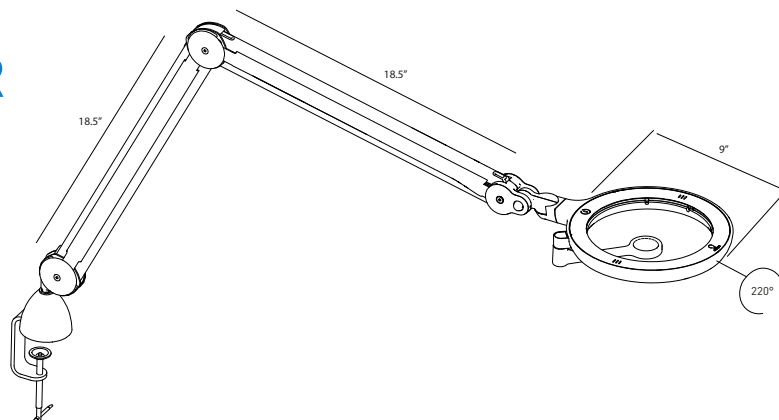
ERGONOMICS



DESIGN

daylightcompany.com

DAYLIGHT & UV MAGNIFIER



FEATURES

- 2-in-1 light source: powerful Daylight 6,000K LEDs and UV-A (365nm) LEDs
- 100% ESD-safe illuminated magnifier that is independently certified
- Optical quality glass lens 7"
- 3 diopters magnification (1.75X) supplied with additional 12 diopters (4X) swing arm magnifier
- Exceptionally strong and durable carbon fiber head and joints
- No adjustment necessary: specifically constructed using free motion joints instead of wing nuts, the iQ ESD will always hold its position
- 2 brightness levels to adapt the lighting to your task at hand
- Long reach of 47" so you position light exactly where you need it
- 3-year guarantee

SPECIFICATIONS

Product information

Weight	8.3lb
Color	Black
Cable length	78.7"

Light output

Daylight light source	LED
Lumens	700lm
Lux at 6"	6,000 and 4,000
Color temperature	6,000K
CRI	95+

Packaging information

Height	24"
Width	20.9"
Depth	3.9"
Packed weight	11lb
Products per master carton	2

UV light source	LED UV-A
UV wavelength	365nm

Energy consumption	12W
--------------------	-----